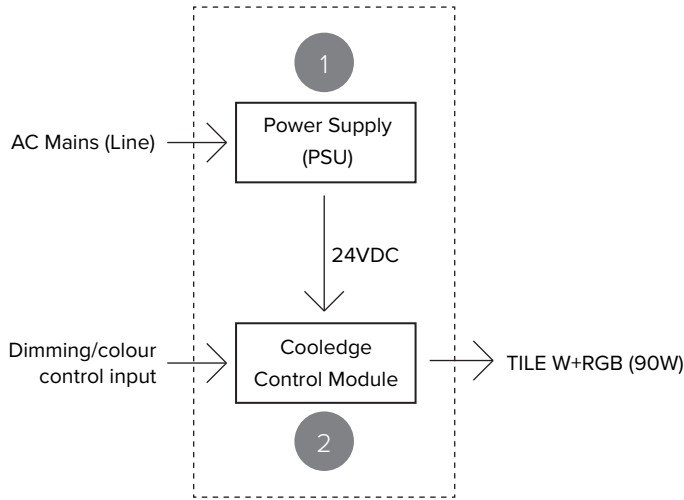


COOLEEDGE™

COOLEEDGE W+RGB POWER & CONTROL (24V) SPECIFICATIONS

PROJECT		REFERENCE TYPE	
SPECIFIED BY		QUANTITY	
DATE		NOTE	For Luminous Surfaces

SYSTEM OVERVIEW



Control on the scale of nature enables large luminous surfaces using industry standard protocols.

- 1 Power Supply: converts AC mains (line) power to safe low voltage 24V power
- 2 Cooledge Control Module: receives control input signals to dim Cooledge Lighting Systems. Output is max. 90W per channel

GENERAL

Location	Indoor, dry location only
Operating Temp.	-20+45°C (-4+113°F)
Storage Temp.	-20+70°C (-4+158°F)
Input Voltage (to power supply)	120-277 VAC
Operating Voltage	24 VDC
Electrical Connections	Tool-less plug connectors
Mounting Surface	Non-conductive* (eg. drywall, plywood, etc)

*Mounting to a conductive surface may void warranty. Please contact Cooledge if this is required.

CERTIFICATIONS



RoHS



WARRANTY



5 Year Limited Warranty: Parts and workmanship.

FEATURES

- Cooledge Control Modules accept DMX and Casambi (wireless) for full color control
- Enables the ability to select tunable white CCT values with superior CRI and R9 values
- Simple and economic control for dynamic illumination that includes deep dimming
- Test mode available for on-site troubleshooting

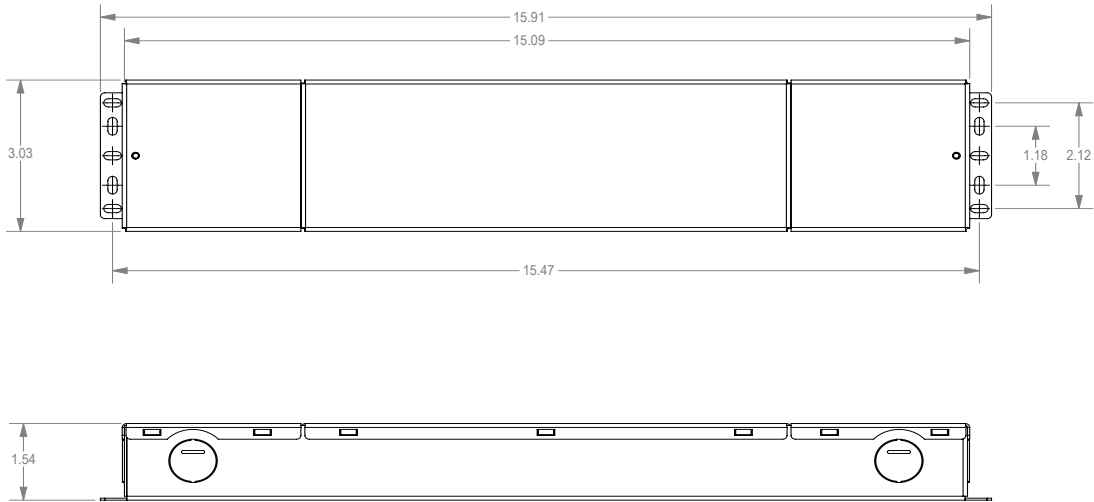
Cooledge Lighting Inc.
110-13551 Commerce Parkway
Richmond, BC V6V 2L1 Canada

O +1 604 273 2665
F +1 604 273 2660
T +1 844 455 4448
W cooledgelighting.com

Cooledge Lighting reserves the right to change materials or modify the design of its product without notification as part of the company's continuing product improvement program.

1 POWER SUPPLIES AND LED DRIVERS = 1

Purpose: Converts AC mains (line) power to nominal 24VDC power.



SPECIFICATIONS

	400W Power Supply
Dimensions	15.91" x 2.95" x 1.54" / 404mm x 75mm x 39mm
Maximum Output Power (W)	400
Output Voltage (VDC)	24
Input Voltage Range (VAC)	Nom. 120-277
Efficiency (% at full load – typ.) (@120VAC/277VAC)	93
Power Factor (full load)	>0.95
Total Harmonic Distortion (%)	< 20
Start-up Time (sec)	< 1.0
Max. Inrush Current	120A COLD START 1.6ms
Certification	UL Listed & CE Compliant
Rated Lifetime (hr) Tc <75°C	50,000
Weight	2.76 lb / 1250g

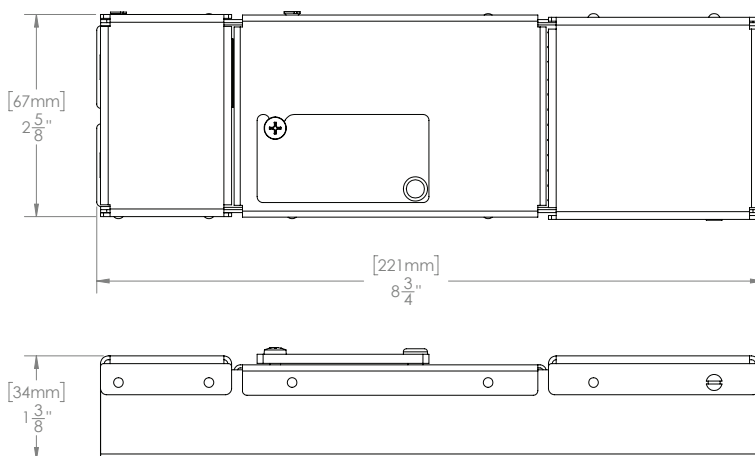
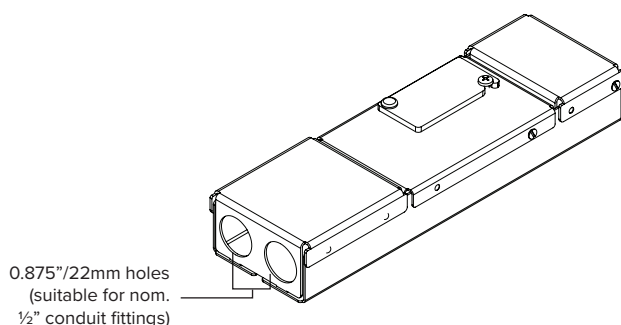
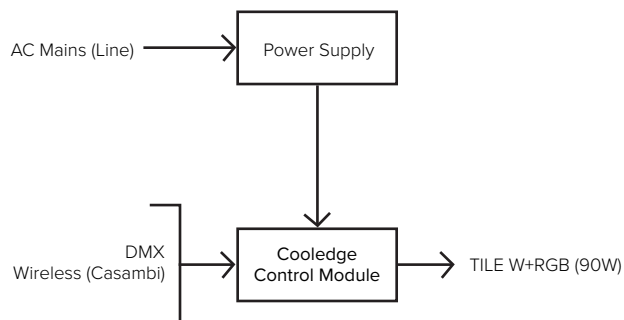
HOW TO ORDER

Output Power	Ordering Code	Description
400W	EPSS-400-24V-UL/CE*	400W Power Supply, 24 VDC output

*select UL for the UL Listed version and CE for the CE Compliant version

2 COOLEGE CONTROL MODULE: GENERAL = 2

Purpose: Cooledge Control Modules perform two functions: 1) convert a single incoming DC power source to multiple Class 2 output (<90W) channels; and 2) convert incoming control signals to dimming output to operate Cooledge W+RGB products.

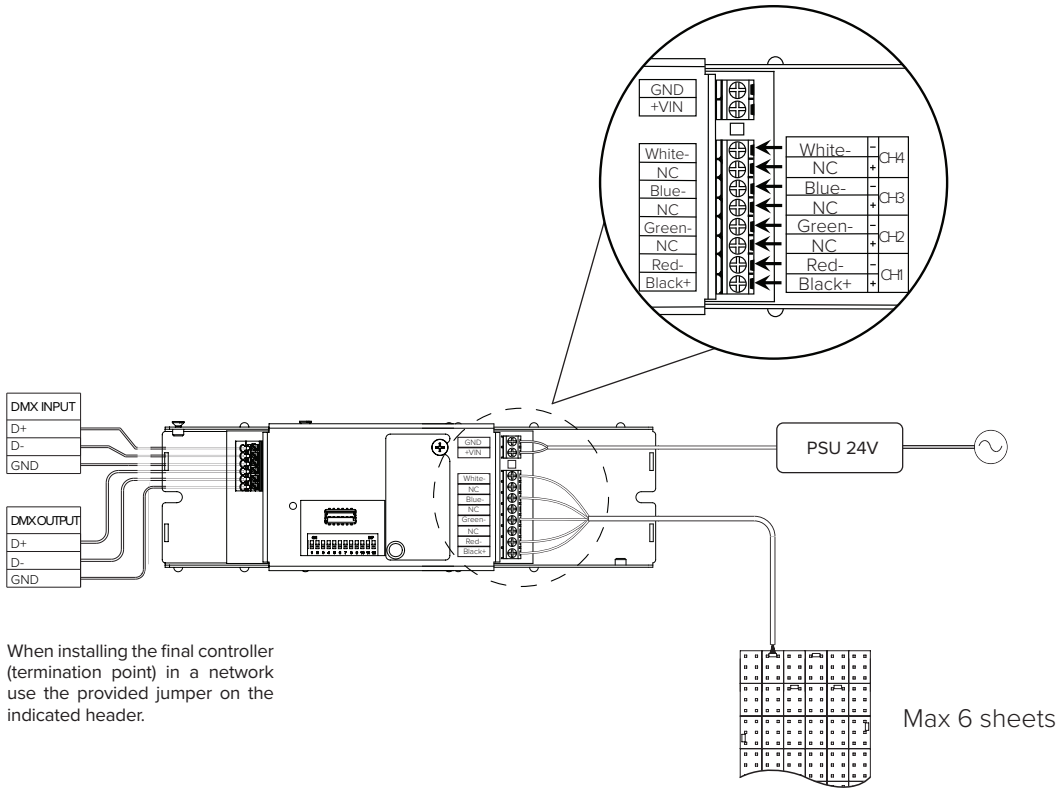


SPECIFICATIONS

Dimensions	8.7" x 2.6" x 1.4" / 221mm x 67mm x 34mm
Output Power (W per channel)	90 (Class 2)
Input Power (W)	Up to 400 (Class 1)
Circuit Protection	Overcurrent, Overvoltage, Reverse Polarity, Short Circuit
Dimming Frequency (Hz)	3950
Dimming Range (%)	0.1 - 100
Standalone Test Mode	Available
Maximum Control Current (Source)	0.5 mA
Max. Wire Size	14 AWG/2.5mm ²
Rated Lifetime (hr)	70,000
EMI	FCC Part 15, Class B (UL model)/CE Compliant
Location	Indoor; Dry locations
Weight	0.5lbs / 227g

3 COOLEGE CONTROL MODULES: DMX

Control Modules identified as “DMX” operate on control signals received from a DMX controller (8 or 16 bit) and each output channel can be controlled independently.



When installing the final controller (termination point) in a network use the provided jumper on the indicated header.

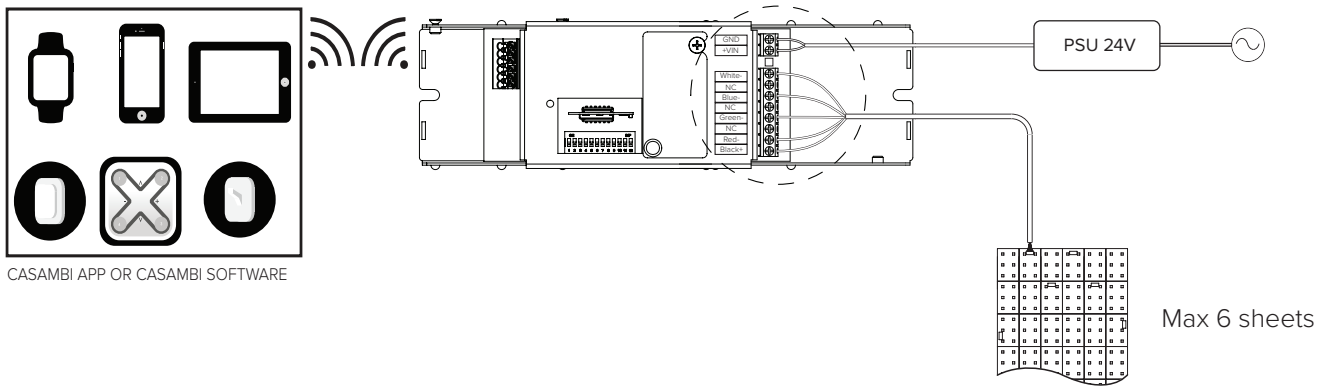
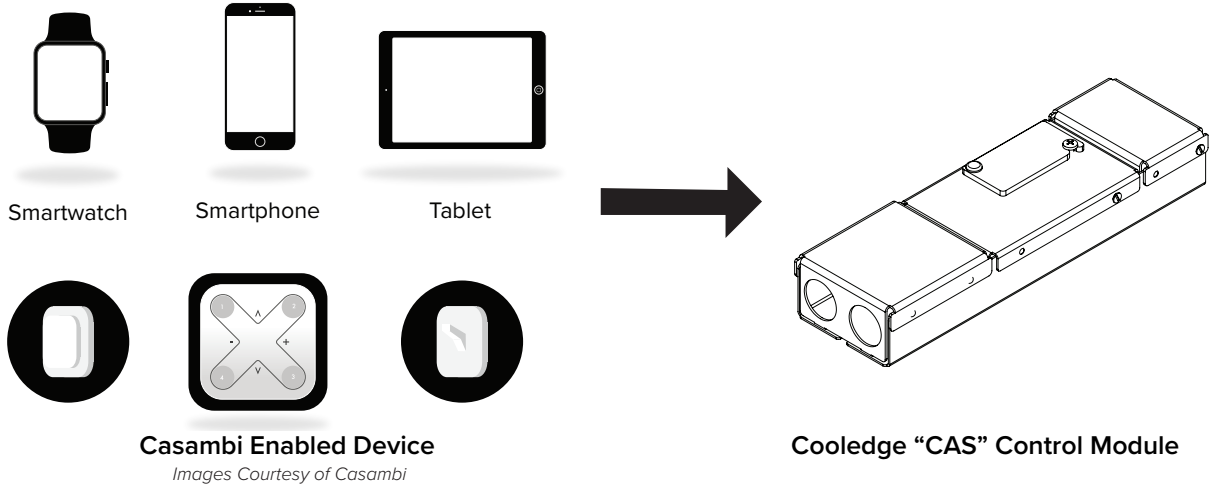
NOTES:
Compliant with USITT DMX512-A (E1.11-2008 (R2013))

HOW TO ORDER

Input Control Protocol	Ordering Code	Description
DMX	CTR-WRGB-DMX-24V	Cooledge Control Module, DMX input, 24V

4 COOLEGE CONTROL MODULES: WIRELESS (CASAMBI)

Control Modules identified as “CAS” operate on control signals received from a Casambi (Bluetooth Low Energy wireless protocol) enabled device including a wireless device, smartphone or tablet.



Wireless range may be affected by mounting method, location and weather conditions. Cooledge recommends evaluation of wireless functionality by application.

HOW TO ORDER

Input Control Protocol	Ordering Code	Description
Wireless (Casambi)	CTR-WRGB-CAS-24V	Cooledge Control Module, Casambi (Wireless) input, 24V